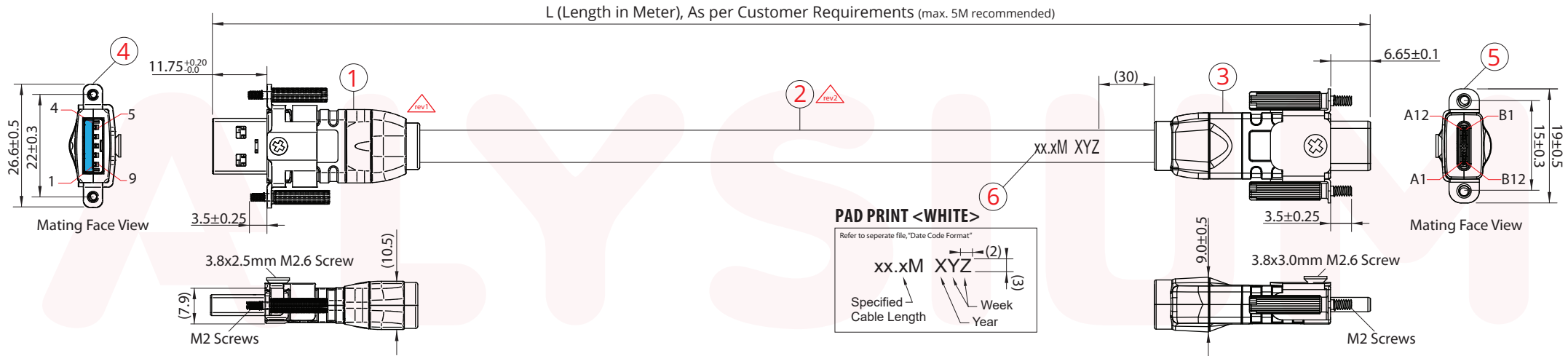




DRAWING REF: **A74-9857**
 DRAWING REF: USB 3.0 to Type-C Industrial Assembly (A+ series)
 REVISION: 00 (KH 161012) Initial release
 01 (KH 161019) HST removed
 02 (KH 161219) Cable PN updated
 03 (KH 170110) Wiring & tolerance update



UNLESS OTHERWISE SPECIFIED
 ASSY LENGTH TOLERANCE

- < 150mm = +50/-10
- ≥ 150mm and < 250mm = +50/-15
- ≥ 250mm and < 500mm = +50/-20
- ≥ 500mm and < 1000mm = +50/-30
- ≥ 1000mm and < 5000mm = ±50
- 5000mm and above = ±100

RoHS COMPLIANT

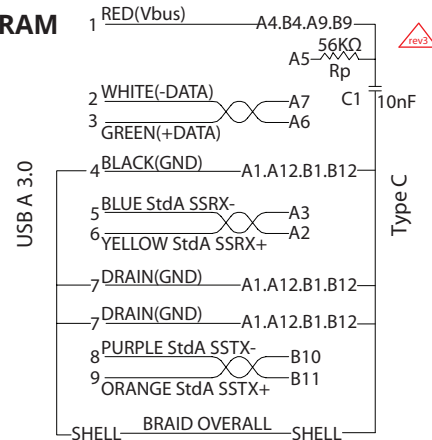
This document is the property of Alysium-Tech. It must not be copied or otherwise disclosed without prior written consent



BILL OF MATERIALS

Item	Description
1	A+ USB A 3.0 (OD5.8 DCT) Die Cast Shell incl. M2.6x2.5 screw (to be disposed, when bracket is applied)
2	A86-4730(T), [OD=6.2mm] <BLK> UL2725 2STP(26#2C)+STP28#+2C22#
3	A+ USB TypeC (OD6.2 DCT) Die Cast Shell incl. M2.6x2.5 screw (to be disposed, when bracket is applied)
4	USB A (DC) Bracket
5	USB C (DC) Bracket
6	Pad Print <WHT>
7	Heat Sealed PE Bag

WIRING DIAGRAM



PACKAGING DETAIL

