

Pin No	Signal Name
1	VBUS
2	D-
3	D+
4	ID
5	GND
6	MicB_SSTX-
7	MicB_SSTX+
8	GND_DRAIN
9	MicB_SSRX-
10	MicB_SSRX+

Notes:

***Material**
 Housing: LCP+50%GF, UL 947-0 rated, Color: Black;
 Contact : Phosphor Bronze
 Plating : AU Plating On Contact Area, Au (Flash) Plating On Solder Tail, Ni(50u" Min) Underplating Over All;
 Shell : Stainless Steel; Nickel(40u" Min) Plating.

***Mechanical**
 Insertion Force: 35N Max;
 Withdrawal Force: 8N Min;
 Durability: 10000 cycles Min.

***Electrical Specification**
 Current Rating: 1.8A (Only Pin 1,5), 0.25A For Other Pin;
 Contact Resistance: 30mΩ Max;
 Insulation Resistance: 100MΩ Min;
 Dielectric Withstanding Voltage: 100V AC Min.

***Environmental**
 Operating Temperature: -55°C to +85°C.

A

A

B

B

C

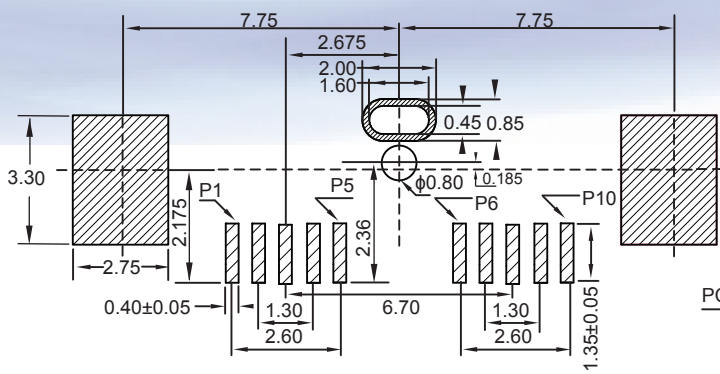
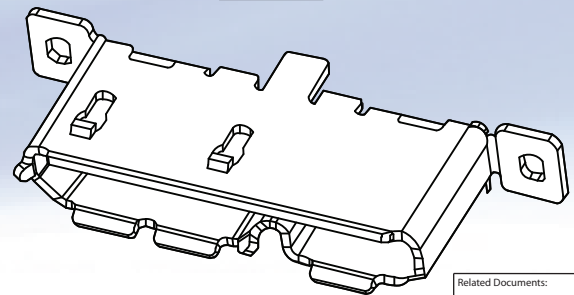
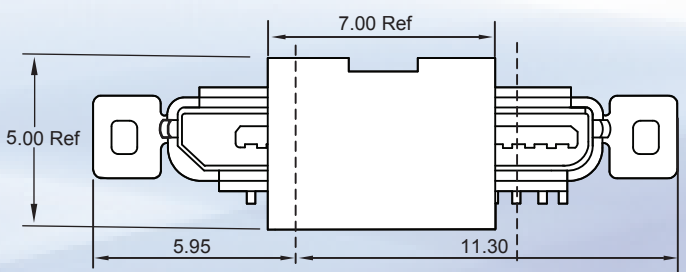
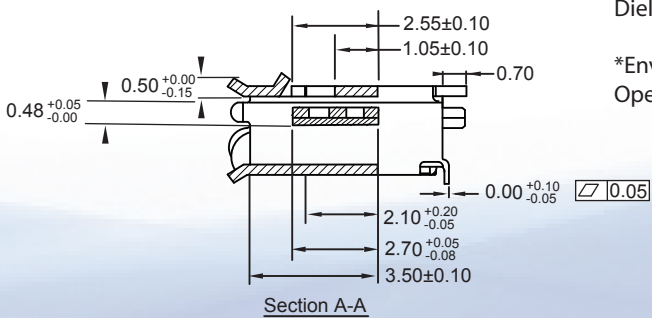
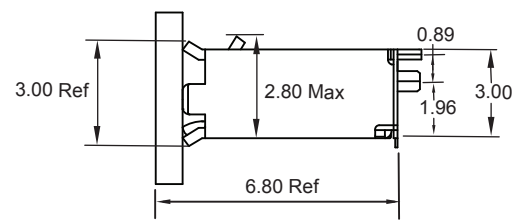
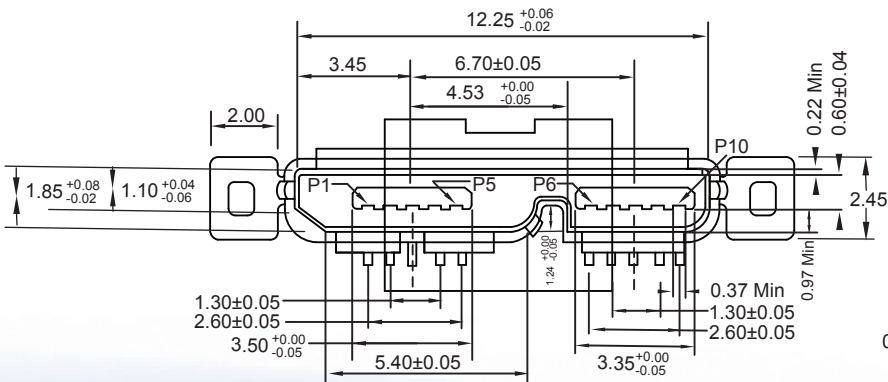
C

D

D

E

E



PCB LAYOUT (T=1.00mm)
 COMPONENT SIDE

Related Documents:		Customer Part Reference(s)		ISO E
06	---	---	DRAWING REF: A46-8572	
05	---	---	DESCRIPTION: Micro USB 3.0 Vertical B Type Receptacle	
04	---	---	Alysium-Tech GmbH	
03	---	---	Alysium-Tech Sdn Bhd	
02	---	---	Alysium-Tech Ltd	
01	---	---		
00	120402	WON	sales@alysium-tech.com	
REV	DATE	INITIALS	http://www.alysium-tech.com	