

4

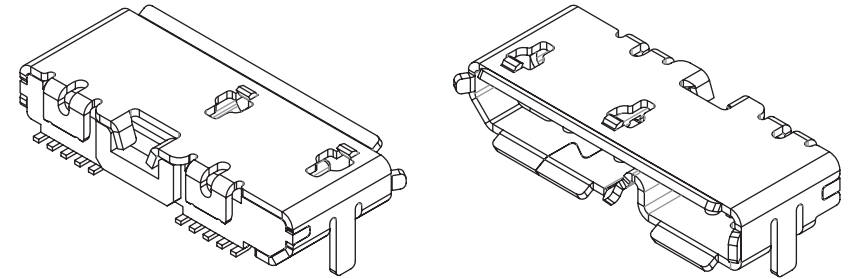
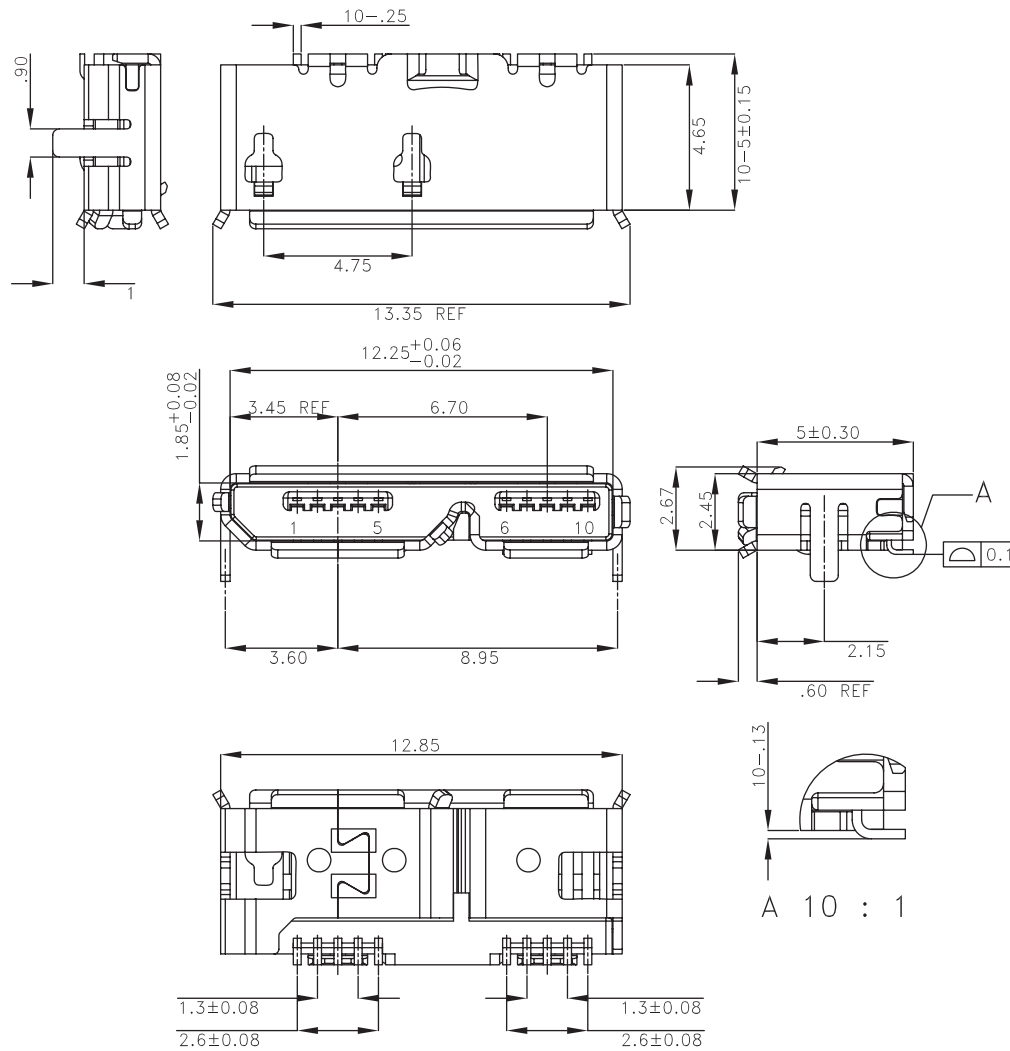
3

2

1

Revision

Nr.	Description	By	Date
	INITIAL ISSUE	EC	31.05.11



SPECIFICATION:

MATERIAL

Insulator: Thermoplastic, rated UL94V-0
 Contacts: Copper Alloy
 Shell: Stainless Steel

CONTACT PLATING

Underplate: 50u"~100u" Nickel
 Contact area: 15u" Gold
 Solder tails area: 100u"~200u" Tin/Lead Free(Matte)

ELECTRICAL

Current rating:
 1.8 Amps (max) shall be applied to Vbus pin and its corresponding GND Pin.
 0.25 Amp (Min) shall be applied to all the other contacts.
 Contact resistance:
 30 mΩ (Max) initial for VBUS and GND Contacts.
 50 mΩ (Max) initial for All Other Contacts.
 Insulation resistance: 100 Mohms min @ 250 VDC
 Dielectric withstanding voltage: 100 VAC / minute
 Temperature range: -20°C TO +85°C
 Mating cycles: 10,000 insertions

UNLESS OTHERWISE SPECIFIED TOLERANCE	
ANG.	±5'
0.	±0.3
.0	±0.25
.00	±0.20

RoHS compliant

Product Number	Description
A46-8571	Micro USB 3.0 B Receptacle, Shell:Dip Type , 15u" Gold Plating

DWN	25.05.11 EC			
Dimensions in mm		Micro USB 3.0 B Receptacle, Shell : Dip Type		
3 RD ANGLE PROJECTION		Size	Part Nr	
SURFACE TEXTURE : NONE		A4	A46-8571	
Customer Drawing			Scale 1:1	Page 1 of 2
			Rev 00	

4

3

2

1

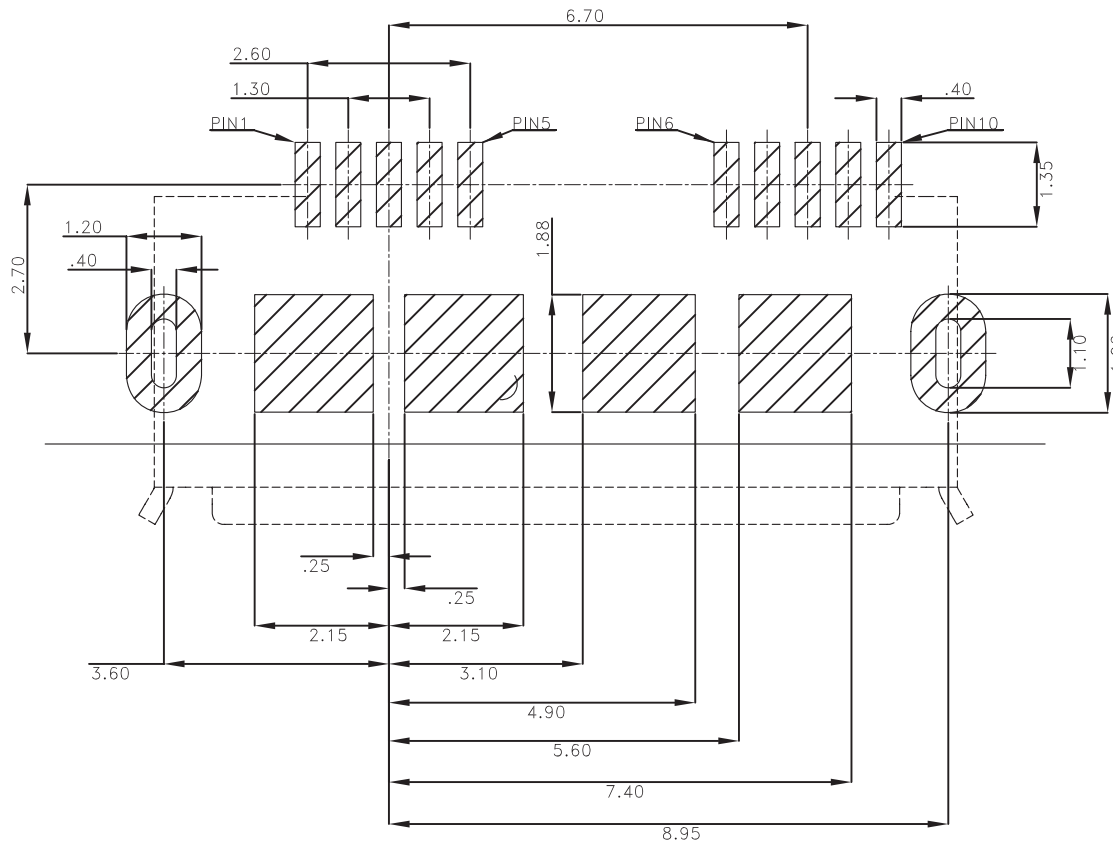
4

3

2

1

Revision			
Nr.	Description	By	Date
	INITIAL ISSUE	EC	31.05.11



RECOMMENDED P.C.B. LAYOUT
TOLERANCES: ±0.05mm

UNLESS OTHERWISE
SPECIFIED TOLERANCE
ANG. ±5°
0. ±0.3
.0 ±0.25
.00 ±0.20

WIRING DIAGRAM

Pin Number	Signal Name
1	VBUS
2	D-
3	D+
4	ID
5	GND
6	Micb_SSTX-
7	Micb_SSTX+
8	GND_DRAIN
9	Micb_SSRX-
10	Micb_SSRX+
Shell	Shield
Pin Assignments	

RoHS compliant

DWN	25.05.11 EC				
Dimensions in mm				Name	Micro USB 3.0 B Receptacle, Shell : Dip Type
3 RD ANGLE PROJECTION 		Size	Part Nr	A4	A46-8571
SURFACE TEXTURE : NONE		Customer Drawing		Scale	1:1
				Page	2 of 2
				Rev	00

Product Number	Description
A46-8571	Micro USB 3.0 B Receptacle, Shell:Dip Type , 15u" Gold Plating

4

3

2

1

D

C

B

A

D

C

B

A