

SPECIFICATION

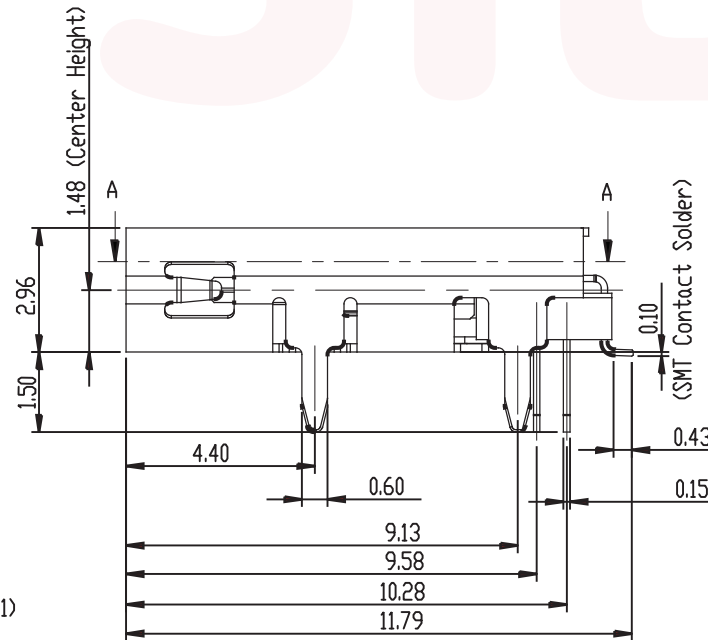
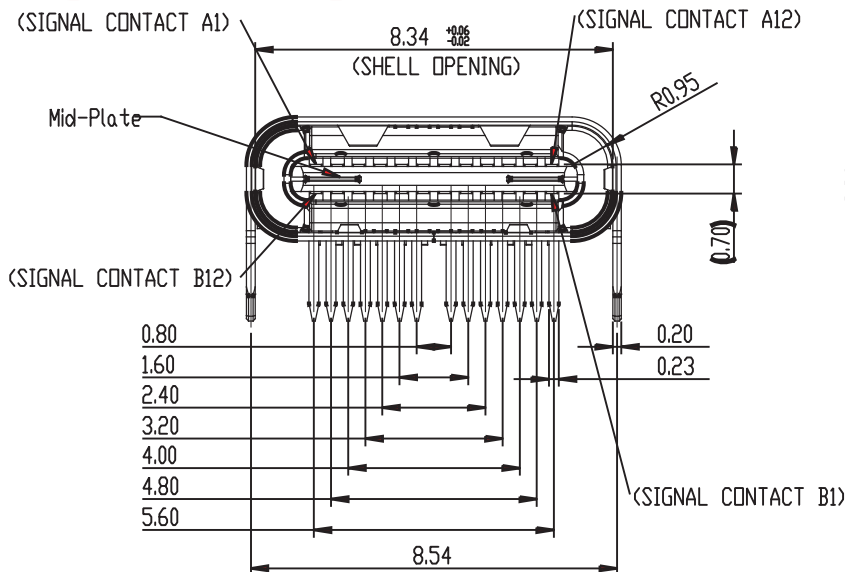
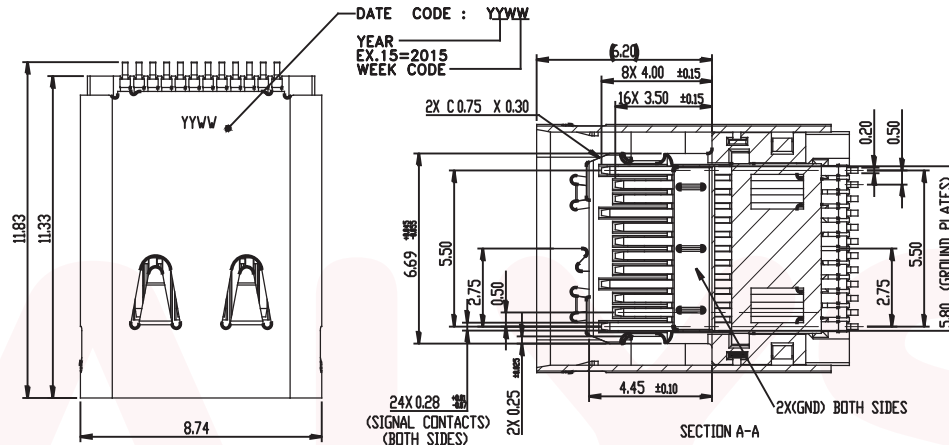
MATERIAL
 Insulator: Thermoplastic, Black
 Contacts: Brass
 Shell: Stainless Steel

CONTACT PLATING

Underplate: 80 u" - 160 u" Nickel
 Contact area: 30 u" Pd - Ni + 2u" Slective gold
 Solder tails area: 100 u" - 200 u" Tin (Lead Free)

ELECTRICAL

Operation voltage: 20 V
 Current rating: 5 A max
 Insulation resistance: 100 MΩ min @ 100Vdc
 Dielectric withstanding voltage: 100Vac / minute
 Temperature range: -40°C to +105°C
 Mating cycles: 10000 insertions



1. USB SERIES
2. SMT + DIP TYPE
3. RoHS2 (MATTE)(HALOGEN FREE)
4. CONTACT NUMBER: 24 PINS
5. CONTACT TYPE: FEMALE (LCP)
6. CONTACT AREA PLATING:
30u" Pd Ni + 2u" GOLD
7. SOLDER TAILS AREA PLATING:
100u" ~ 200u" TIN (Lead Free)
8. APPLY TYPE: SOCKET
9. SHELL PLATING:
Ni-Plated (without Rear Cover)
10. PACKING STYLE: TRAY
11. INSULATOR COLOR: BLACK

RECOMMENDED PCB LAYOUT
 TOLERANCE: ±0.50 mm
 PCB THICKNESS: 1.0 mm

UNLESS OTHERWISE SPECIFIED TOLERANCE

ANG.	±5°
0.	±0.50
.0	±0.30
.00	±0.20