

ALYSIUM

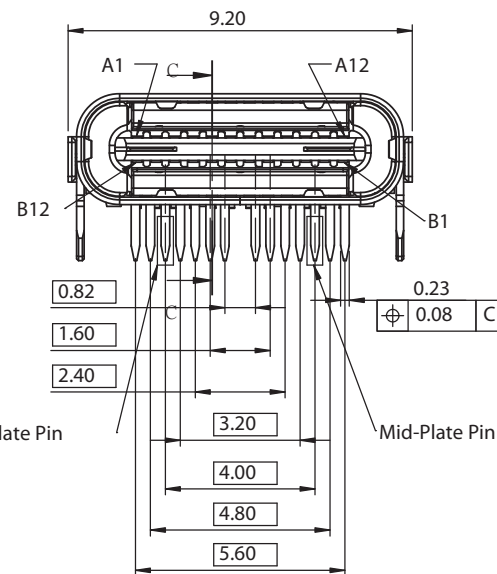
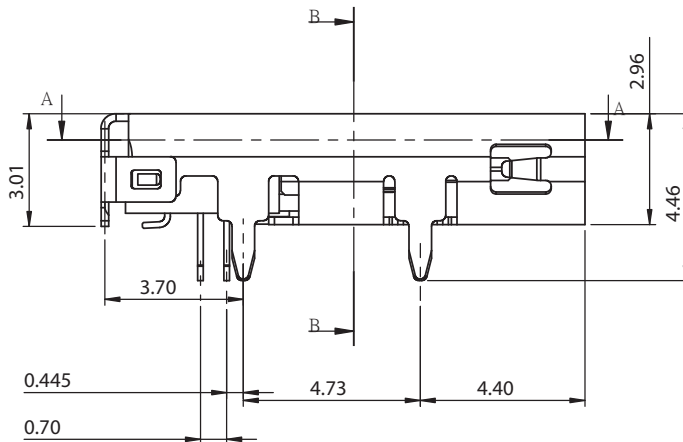
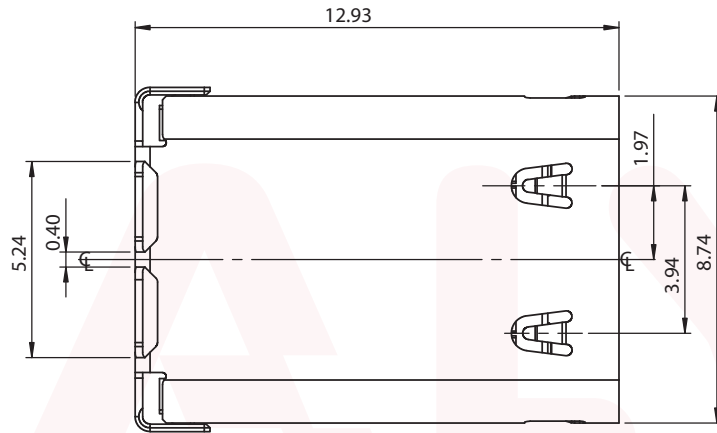
EVOLUTIONARY INTERCONNECTS

DRAWING REF: **A46-4825**

DRAWING REF: USB 3.1 Type-C Receptacle

REVISION: 00 (KH 150122)

Initial Issue



UNLESS OTHERWISE SPECIFIED TOLERANCE

ANG.	±2°
0.	±0.30
.0	±0.20
.00	±0.10

SPECIFICATION

MATERIAL

Insulator: Thermoplastic, Black
Contacts: Brass
Shell: Steel

CONTACT PLATING

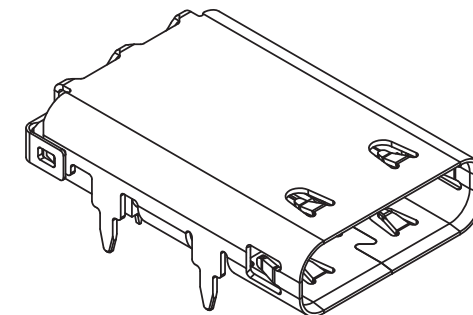
Underplate: 80u"~160u" Nickel
Contact area: 30u"Pd Ni + 2u" Selective Gold
Solder tails area: 100u"~200u" Tin (Lead Free)

ELECTRICAL

Operation voltage: 5 V
Current rating: 3 Amps max.
Insulation resistance: 100 Mohms min @ 100 VDC
Dielectric withstanding voltage: 100 VAC / minute
Temperature range: -25°C TO +105°C
Mating cycles: 10,000 insertions

1. USB SERIES
2. SMT + DIP TYPE
3. RoHS2 (MATTE) (HALOGEN FREE)
4. CONTACT NUMBER: 24 PIN
5. CONTACT TYPE: FEMALE (LCP)

6. CONTACT AREA PLATING: 30u"Pd Ni+2u" GOLD
7. SOLDER TAILS AREA PLATING: 100u"200u" TIN (LEAD FREE)
8. APPLY TYPE: SOCKET
9. SHELL PLATING: Ni
10. STANDARD
11. PACKING STYLE: TRAY
12. INSULATOR COLOR: BLACK



ALYSIUM

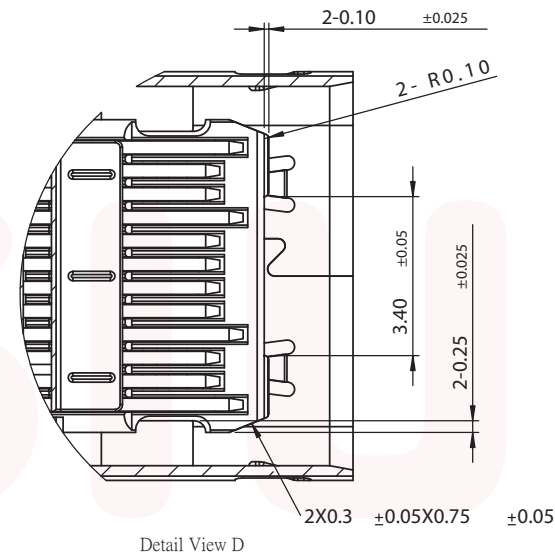
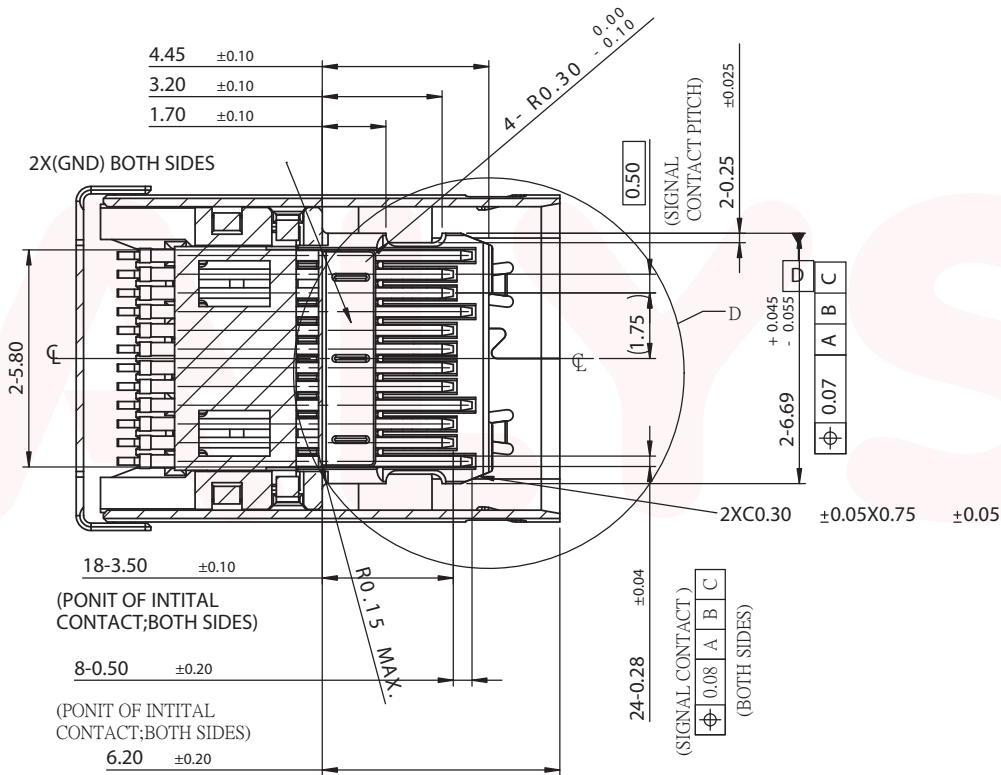
EVOLUTIONARY INTERCONNECTS

DRAWING REF: **A46-4825**

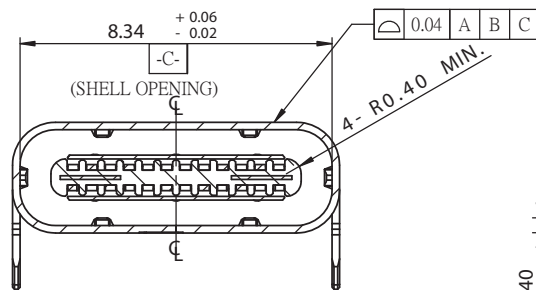
DRAWING REF: USB 3.1 Type-C Receptacle

REVISION: 00 (KH 150122)

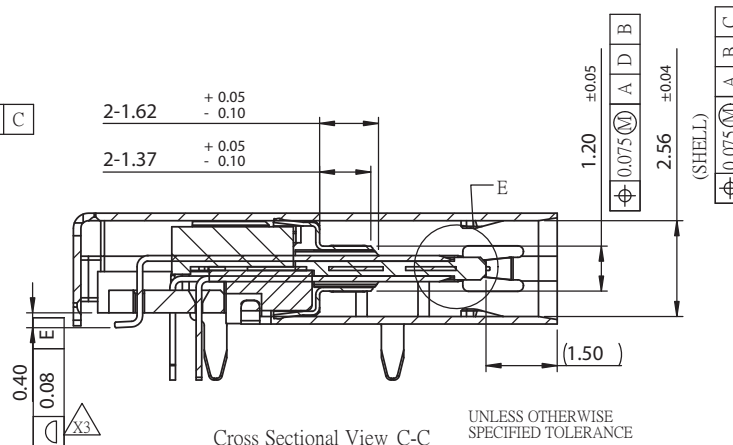
Initial Issue



Detail View A-A

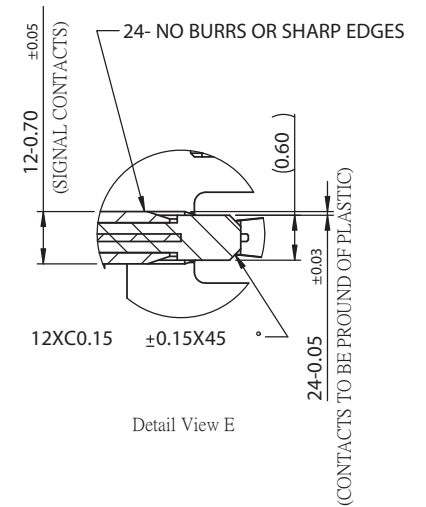


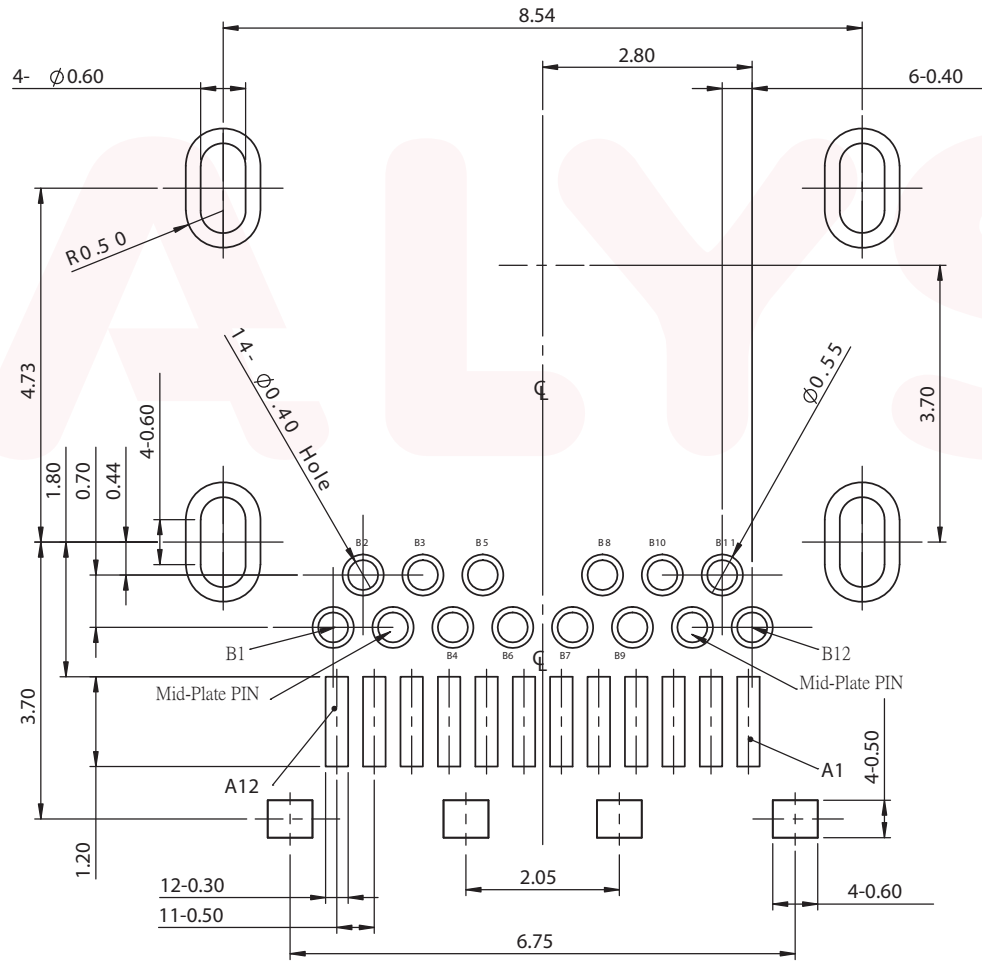
Cross Sectional View B-B



UNLESS OTHERWISE SPECIFIED TOLERANCE

ANG. ±2°
0. ±0.30
.0 ±0.20
.00 ±0.10





Recommended PCB LAYOUT
 Tolerance ± 0.05
 PCB Thickness = 1.00mm

USB TYPE -C Pin Assignments

Pin Number	Signal Name	Pin Number	Signal Name
A1	GND	B12	GND
A2	SSTXp1	B11	SSTXp1
A3	SSTXn1	B10	SSTXn1
A4	V _{BUS}	B9	V _{BUS}
A5	CC1	B8	SBU2
A6	Dp1	B7	Dn2
A7	Dn1	B6	Dp2
A8	SBU1	B5	CC2
A9	V _{BUS}	B4	V _{BUS}
A10	SSTXn2	B3	SSTXn2
A11	SSTXp2	B2	SSTXp2
A12	GND	B1	GND

UNLESS OTHERWISE SPECIFIED TOLERANCE

ANG. $\pm 2^\circ$
 0. ± 0.30
 .0 ± 0.20
 .00 ± 0.10